

4.0t/4.5t XF2 Series Mast: (pneumatic)

Type	Model	Max. fork height mm	Overall height			Free lift		Front Overhang mm	Tilt Range F/R [°]	Capacity Load capacity at 500mm			
			Lowered mm	Extended		Without backrest mm	With backrest mm			Single tire		Dual tire	
				4.0t/4.5t	Without backrest mm					With backrest mm	4.0t/4.5t	4.0t/4.5t	4.0t/4.5t
Wide view mast	X2B45M245	2450	1970	3260	3620	150	150	560	6/12	4000	4500	4000	4500
	X2B45M265	2650	2070	3460	3820	150	150	560	6/12	4000	4500	4000	4500
	X2B45M300	3000	2245	3810	4170	150	150	560	6/12	4000	4500	4000	4500
	X2B45M330	3300	2395	4110	4470	150	150	560	6/12	4000	4500	4000	4500
	X2B45M350	3500	2495	4310	4670	150	150	560	6/12	4000	4500	4000	4500
	X2B45M360	3600	2545	4410	4770	150	150	560	6/12	4000	4500	4000	4500
	X2B45M370	3700	2595	4510	4870	150	150	560	6/12	4000	4500	4000	4500
	X2B45M400	4000	2820	4820	5170	150	150	560	6/12	4000	4500	4000	4500
	X2B45M430	4300	2970	5120	5470	150	150	560	6/6	4000	4500	4000	4500
	X2B45M450	4500	3070	5320	5670	150	150	560	6/6	4000	4500	4000	4500
	X2B45M470	4700	3170	5520	5870	150	150	560	6/6	3850	4500	4000	4500
	X2B45M480	4800	3295	5695	5970	150	150	560	6/6	3850	4450	3900	4450
Wide view full free Duplex mast	X2B45M500	5000	3395	5895	6170	150	150	560	6/6	3800	4400	3950	4400
	X2B45M550	5500	3645	6395	6670	150	150	560	3/6	3300	3750	3500	4200
	X2B45M600	6000	3895	6895	7170	150	150	560	3/6	2700	3100	3400	3800
	X2B45U245	2450	1975	3260	3620	1165	805	579	6/12	4000	4500	4000	4500
	X2B45U300	3000	2250	3810	4170	1440	1080	579	6/12	4000	4500	4000	4500
	X2B45U330	3300	2400	4110	4470	1590	1230	579	6/12	4000	4500	4000	4500
	X2B45U350	3500	2500	4310	4670	1690	1330	579	6/12	4000	4500	4000	4500
	X2B45U370	3700	2600	4510	4870	1790	1430	579	6/12	4000	4500	4000	4500
	X2B45U400	4000	2825	4810	5170	2000	1655	579	6/12	4000	4500	4000	4500
	X2B45N400	4000	2050	4810	5170	1240	880	573	6/12	4000	4500	4000	4500
	X2B45N430	4300	2155	5110	5470	1345	985	573	6/6	4000	4500	4000	4500
	X2B45N450	4500	2225	5310	5670	1415	1055	573	6/6	4000	4500	4000	4500
Wide view full free Triplex mast	X2B45N470	4700	2290	5510	5870	1480	1120	573	6/6	3700	4500	4000	4500
	X2B45N480	4800	2375	5675	5900	1500	1205	573	6/6	3700	4450	3800	4450
	X2B45N500	5000	2425	5825	6170	1615	1255	573	6/6	3600	4400	3700	4400
	X2B45N550	5500	2575	6310	6670	1765	1405	573	3/6	3300	3750	3500	4200
	X2B45N600	6000	2800	6810	7170	1990	1630	573	3/6	2500	3000	3400	3800
	X2B45N650	6500	3020	7320	7670	2200	1850	573	3/6	1250	1450	2800	3000
	X2B45N700	7000	3275	7975	8170	2300	2105	573	3/6	7	850	2100	2300

With sideshifter minus 200Kg, with integral sideshifter minus 100kg.

Max. fork height 7.5m or 8.0m is option for full free triplex mast.

5.0t/5.5t XF2 Series Mast: (pneumatic)

Type	Model	Max. fork height mm	Overall height						Free lift				Front Overhang		Tilt Range F/R [°]	Capacity Load capacity at 500mm			
			Lowered		Extended		Without backrest mm	With backrest mm	Without backrest mm	With backrest mm	5.0t	5.5t	Single tire			Dual tire			
			5.0t	5.5t	5.0t	5.5t							5.0t	5.5t		5.0t	5.5t		
			mm	mm	mm	mm	mm	mm	mm	mm	mm	mm	mm	mm	mm	mm	mm		
Wide view mast	X2Bx50/X2Bx55M245	2450	1970	2070	3260	3295	3830	3830	150	160	150	160	560	570	6/12	5000	5500	5000	5500
	X2Bx50/X2Bx55M265	2650	2070	2170	3460	3495	4030	4030	150	160	150	160	560	570	6/12	5000	5500	5000	5500
	X2Bx50/X2Bx55M300	3000	2245	2345	3810	3845	4380	4380	150	160	150	160	560	570	6/12	5000	5500	5000	5500
	X2Bx50/X2Bx55M330	3300	2395	2495	4110	4145	4680	4680	150	160	150	160	560	570	6/12	5000	5500	5000	5500
	X2Bx50/X2Bx55M350	3500	2495	2595	4310	4345	4880	4880	150	160	150	160	560	570	6/12	5000	5500	5000	5500
	X2Bx50/X2Bx55M360	3600	2545	2645	4410	4445	4980	4980	150	160	150	160	560	570	6/12	5000	5500	5000	5500
	X2Bx50/X2Bx55M370	3700	2595	2695	4510	4545	5080	5080	150	160	150	160	560	570	6/12	5000	5500	5000	5500
	X2Bx50/X2Bx55M400	4000	2820	2920	4820	4920	5380	5380	150	160	150	160	560	570	6/12	5000	5500	5000	5500
	X2Bx50/X2Bx55M430	4300	2970	3070	5120	5220	5680	5680	150	160	150	160	560	570	6/6	5000	5500	5000	5500
	X2Bx50/X2Bx55M450	4500	3070	3170	5320	5420	5880	5880	150	160	150	160	560	570	6/6	5000	5500	5000	5500
	X2Bx50/X2Bx55M470	4700	3170	3270	5520	5620	6080	6080	150	160	150	160	560	570	6/6	4800	5200	5000	5500
	X2Bx50/X2Bx55M480	4800	3295	3395	5895	5995	6180	6180	150	160	150	160	560	570	6/6	4700	4900	4900	5400
X2Bx50/X2Bx55M500	5000	3395	3495	5895	5995	6380	6380	150	160	150	160	560	570	6/6	4500	4800	4800	5300	
X2Bx50/X2Bx55M550	5500	3645	3745	6395	6495	6880	6880	150	160	150	160	560	570	3/6	4100	4500	4600	4800	
X2Bx50/X2Bx55M600	6000	3895	3995	6895	6995	7380	7380	150	160	150	160	560	570	3/6	3300	3500	4400	4600	
X2Bx50/X2Bx55U245	2450	1975	2075	3260	3300	3830	3830	1165	1200	595	695	579	584	6/12	5000	5500	5000	5500	
X2Bx50/X2Bx55U300	3000	2250	2350	3810	3850	4380	4380	1440	1500	870	970	579	584	6/12	5000	5500	5000	5500	
X2Bx50/X2Bx55U330	3300	2400	2500	4110	4150	4680	4680	1590	1650	1020	1120	579	584	6/12	5000	5500	5000	5500	
X2Bx50/X2Bx55U350	3500	2500	2600	4310	4350	4880	4880	1690	1750	1120	1220	579	584	6/12	5000	5500	5000	5500	
X2Bx50/X2Bx55U370	3700	2600	2700	4510	4550	5080	5080	1790	1850	1220	1320	579	584	6/12	5000	5500	5000	5500	
X2Bx50/X2Bx55U400	4000	2825	2925	4825	4825	5380	5380	2000	2000	1445	1445	579	584	6/12	5000	5500	5000	5500	
X2Bx50/X2Bx55N400	4000	2050	2150	4810	4810	5380	5380	1240	1330	670	770	573	583	6/12	5000	5500	5000	5500	
X2Bx50/X2Bx55N430	4300	2155	2255	5110	5110	5680	5680	1345	1445	775	875	573	583	6/6	5000	5500	5000	5500	
X2Bx50/X2Bx55N450	4500	2225	2325	5310	5310	5880	5880	1415	1500	845	945	573	583	6/6	5000	5500	5000	5500	
X2Bx50/X2Bx55N470	4700	2290	2390	5510	5510	6080	6080	1480	1570	910	1010	573	583	6/6	4700	5000	5000	5500	
X2Bx50/X2Bx55N480	4800	2375	2475	5610	5610	6180	6180	1500	1500	995	995	573	583	6/6	4600	4800	4900	5200	
X2Bx50/X2Bx55N500	5000	2425	2525	5810	5810	6380	6380	1615	1700	1045	1145	573	583	6/6	4500	4700	4800	5000	
X2Bx50/X2Bx55N550	5500	2575	2675	6310	6310	6880	6880	1765	1800	1195	1295	573	583	3/6	3900	4300	4600	4800	
X2Bx50/X2Bx55N600	6000	2800	2900	6810	6810	7380	7380	1990	2000	1420	1520	573	583	3/6	3200	3500	4400	4600	
X2Bx50/X2Bx55N650	6500	3020	3150	7310	7310	7880	7880	2200	2200	1670	1770	573	583	3/6	1650	2300	3200	3500	
X2Bx50/X2Bx55N700	7000	3275	3375	7810	7810	8380	8380	2300	2300	1895	1995	573	583	3/6	1000	1800	2450	2850	

With sideshifter minus 200Kg, with integral sideshifter minus 100kg.

Max. fork height 7.5m or 8.0m is option for full free triplex mast.



Hangcha Europe GmbH
Mariechen-Graulich-Straße 12a,
65439 Flörsheim am Main,
Germany

Administration
Tel: 0049-61453769188
E-mail: admin@hangchaeurope.com

Sales Management
Thomas Dittrich
Mob: 0049-16096548808
E-mail: thomas.dittrich@hangchaeurope.com

Technical Support
Thomas Pannke
Mob: 0049-01759284213
E-mail: thomas.pannke@hangchaeurope.com

www.hangchaeurope.com



Folgen Sie uns auf Instagram
Folgen Sie uns auf Facebook
Folgen Sie uns auf YouTube
"Hangcha Forklift" App herunterladen



HANGCHA Group Co., LTD behält sich das Recht vor, Änderungen bezgl. Farbe, Spezifikationen, Ausstattung und sonstige Details, dieser Broschüre ohne Vorankündigung vorzunehmen. Fahrzeugfarben können von den Farben in dieser Brochure abweichen.



XF2 SERIES

IC COUNTERBALANCED TRUCKS

With capacity of 4,000 to 5,500kg

XF2 SERIES

IC COUNTERBALANCED TRUCKS

The XF2 series is an upgraded product independently developed by Hangcha using advanced technology. Through comprehensive upgrades in appearance design, energy efficiency, safety and stability, reliability and durability, and comfort and convenience, the overall performance of the truck has been significantly improved compared to the original product, making it a forklift truck that meets all your needs.



NEW DESIGN

- The XF2 series adopts a unified product appearance style, innovating within the classics, with smooth, dynamic, and powerful lines that exude a sense of technology.
- The fully enclosed instrument control panel and the flowing LED tail lights are more finely assembled, making the truck simple and aesthetically pleasing.

ENERGY-EFFICIENT AND ENVIRONMENTALLY FRIENDLY

STAGE V
CERTIFIED

ENGINE & TRANSMISSION

Equipped with diesel engines, LPG engines, and dual-fuel engines that meet Euro V and North American certification standards, these engines offer lower emissions and reduced energy consumption, catering to the diverse engine requirements of different customers.

Energy consumption reduced by **8%**

- The Diesel Particulate Filter (DPF) after-treatment system features both on-the-go and stationary regeneration strategies, achieving carbon accumulation balance during standard operating conditions and extending the cleaning cycle.
- Standardized with load-sensitive multi-way valves and a high-pressure hydraulic system, which reduces energy loss and significantly increases lifting speed.

 **LIFT SPEED INCREASED BY 16%**

- The entire truck is equipped with an LED lighting system, which saves energy, reduces electricity consumption, and greatly extends the lifespan of the lights.
- Streamer LED taillights are developed and used to make the vehicle more ethereal with a strong high-tech impact.



The truck dimensions and turning radius have been significantly reduced, making the truck more maneuverable and agile in operation.



PROTECT YOUR INVESTMENT

The vehicle's center of gravity is reduced by 5%

The use of a split counterweight design ensures an optimal distribution of load on the axle, with a low center of gravity for enhanced stability.

The front overhang of the triplex mast is reduced by 10%

The adoption of a new slot structure mast significantly reduces the overhang of the triplex mast, greatly increasing the residual capacity and improving the load capability.



The truck comes standard with OPS system, and an optional adjustable speed limit function is available to enhance operational safety.



COMFORT AND CONVENIENCE

- Optimized ergonomic design, enlarged cab space, an optional new-generation fingertip operating system.
- The standard low-angle throttle pedal reduces driver fatigue.
- The application of large-area sound-absorbing materials and low-noise gear pumps, among other noise reduction measures, ensures low noise levels around the driver's ears.



A color interactive LED instrument panel is used, which can display the truck's status, set parameters, switch languages, etc., facilitating human-machine information interaction.

An intelligent controller can realize the functions of OPS system, and flameout for idle speed time out, and can have other optional functions of speed control, speed limiting for faults, lifting at a high idle speed, automatic fork leveling, etc.

ALL-ROUND VISIBILITY

The ultra-wide view mast and the rear-tilted counterweight design provide an expanded field of vision to the front and rear of the truck, especially a significant enhancement in the view to the front of the triplex mast.

Optimized design provides outstanding visibility in all directions.



Triple Mast's field of view increased by **60%**

Rear maneuvering vision increased by **15%**



RELIABLE AND DURABLE

- Parking brake: A central brake requiring less operating force.
- The use of high-strength maintenance-free wet brake drive axle significantly improves the reliability of the braking system and extends its service life.
- Key components use waterproof connectors, elevating the protection level of the electrical system.
- All joints are 24° conic joints and each high-pressure pipe joint has a pressure measuring port that enables better sealing and offers better maintainability.
- Both the drive axle and the gearbox are expected to have a service life of far longer than 10 years, and the wet brake 10 years. Enhanced four-piece rims are used.

Equipped with an oversized radiator, the frontal area for both water and oil cooling is greatly increased, significantly reducing the water and oil temperatures, making the truck more durable.



Radiator frontal area increased by **28%**

The adoption of an open-casting flexible steering axle with strengthened axle body and high-position design enhances the reliability of the steering axle.



The steering axle is installed with rubber pad, which effectively improve the operation comfort and reliability.



Breaking through the limitation of the traditional steering axle structure, the newly developed cast open steering axle has the maximum internal turning angle increased from 79° to 82°, it can help customers work in narrow space.

The use of floating OHG and floating transmission, the dual-suspension vibration reduction system results in minimal truck vibration.

The OHG is designed with pre-set installation holes, allowing customers to easily convert the truck into a cab by adding doors and windows, making it more user-friendly.



EASY MAINTENANCE

- The increased opening angle of the hood provides a larger serviceable space.
- The counterweight features a large opening design, allowing for the removal of the after-treatment system without disassembling the counterweight, making maintenance more convenient.



Maintenance space
increased by **10%**

Features

Truck	Standard	Options
Plate-fin heat dissipater	●	
Mechanical handbrake	●	
Dynamic load sending control valve	●	
Double-Layer Soundproof Hood Padding	●	
Duplex mast	●	
Tilt Cylinder Boot	●	
Reinforced wheel rim	●	
Cab		○
Heater		○
Front windshield and wiper		○
Solid tire		○
Dual air filter		○
Fan		○
Fully-suspended seat		○
Customer paint		○
Toolbox		○
Transmission		
Fully-suspended gearbox	●	
Dual front wheel		○
Steering		
Wet braking drive axle	●	
Open cast steering axle	●	
Fully hydraulic power steering gear	●	
Steering wheel adjusting device	●	
Power		
High-efficiency air filter	●	
High-efficiency air intake silencer	●	
High-position exhauster	●	
Fan protection device	●	
Body		
Traction pin	●	
Counterweight net	●	
Lockable hood	●	
Dissipater grille cover		○
Rotating handle of water tank lid		○
Fuel tank cap with lock		○
Additional L/R rearview mirrors		○
Hydraulic		
Electro-hydraulic steering	●	
Low-noise gear pump	●	
Hydraulic oil recycling filter	●	
5th valve		○

Features

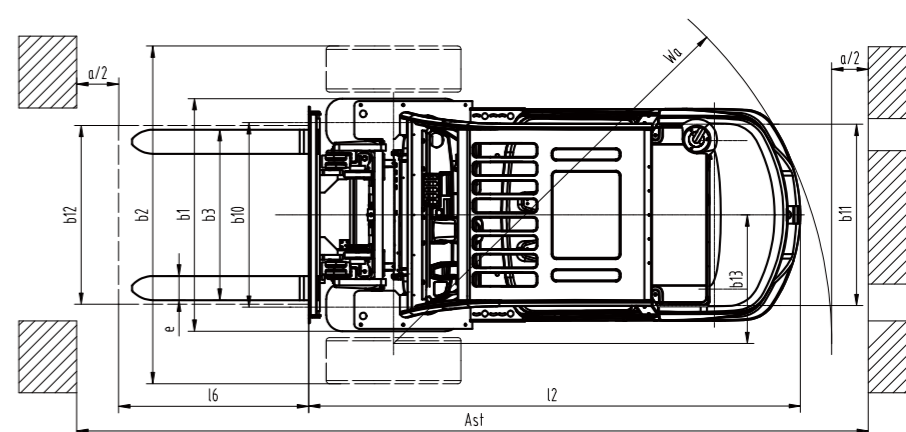
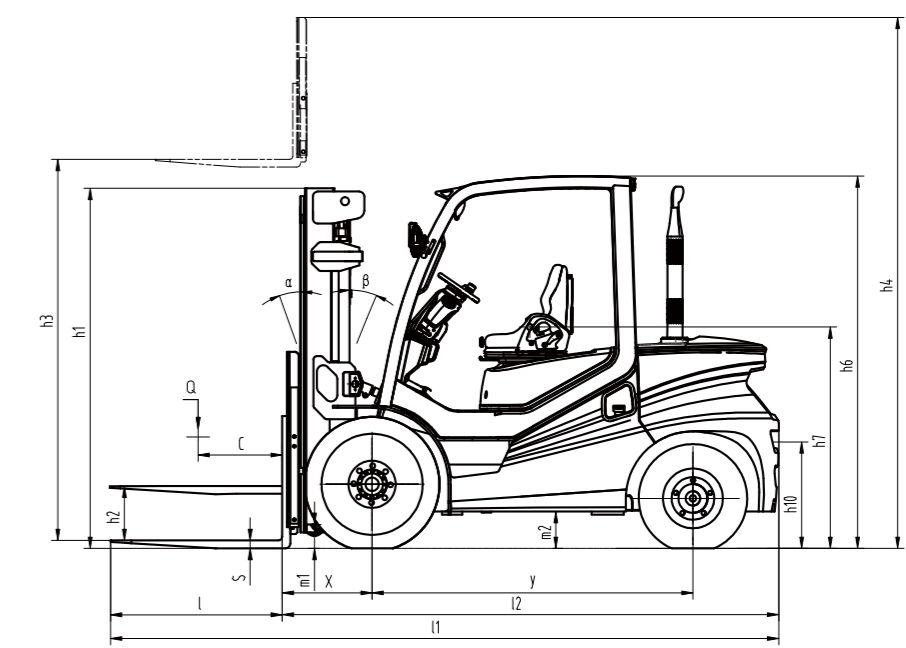
Control	Standard	Options
Fingertip system		○
Pedal parking brake		○
Overhead Guard		
Fully-suspended overhead guard	●	
Right rear armrest with horn button	●	
PVC shed	●	
Perforated overhead guard		○
Fire extinguisher (1kg)		○
Electrical		
Multifunctional interactive instruments	●	
Combination LED lighting system	●	
Integrated combination switch	●	
Main power switch	●	
LED rear working light		○
OPS system	●	
Multi-segment adjustable speed limit		○
Blue light		○
Audible and visual alarm		○
Mast		
Full free duplex mast	●	
Different length of fork	●	
Triplex mast	●	
Wider fork carriage	●	
Heightened load backrest	●	
Attachments		
Paper roll clamp		○
Rotatable roll clamp		○
Load stabilizer		○
Multi-purpose barrel clamp		○
Weighing system		○
Sideshifter		○
Rotating fork		○
Fork sleeve		○
Crane arm		○
Special fork		○
Soft package clamp		○
Oil barrel clamp		○
Tipping clamp		○
Hook		○
Carton clamp		○
Push-pull device		○
Bucket		○
String Pole		○

Technical Data

		HANGCHA GROUP CO., LTD.														
		CPCD40-X2H8F	CPCD45-X2H8F	CPCD50-X2XH8F	CPCD55-X2XH8F	CPCD40-X2W99BN	CPCD45-X2W99BN	CPCD50-X2W99BN	CPCD55-X2W99BN	CPYD40-X2H11BN	CPYD45-X2H11BN	CPYD50-X2XH11BN	CPYD55-X2XH11BN			
Distinguishing mark	1.1	Manufacturer(abbreviation)														
	1.2	Manufacturer's type designation														
Weight	1.3	Drive: electric (battery type, mains, ...), diesel, petrol, fuel gas														
	1.4	Operator type: hand, pedestrian, standing, seated, order-picker														
	1.5	Rated capacity/rated load	Q [kg]	4000	4500	5000	5500	4000	4500	5000	5500	4000	4500	5000	5500	
	1.6	Load centre distance	c [mm]	500	500	500	500	500	500	500	500	500	500	500	500	
	1.8	Load distance, centre of drive axle to fork	x [mm]	560	560	560	570	560	560	570	560	560	560	570	570	
	1.9	Wheelbase	y [mm]	2000	2000	2100	2100	2000	2000	2100	2000	2000	2100	2100	2100	
	2.1	Service weight	kg	8400	8600	8900	7300	6400	6600	6900	7300	6400	6600	6900	7300	
Tyres, chassis	2.2	Axle loading, laden front/rear	kg	8980/1420	9725/1375	10430/1470	11300/1500	8980/1420	9725/1375	10430/1470	11300/1500	8980/1420	9725/1375	10430/1470	11300/1500	
	2.3	Axle loading, unladen front/rear	kg	2850/3550	2850/3750	2900/4000	3000/4300	2850/3550	2850/3750	2900/4000	3000/4300	2850/3550	2850/3750	2900/4000	3000/4300	
	3.1	Tyres: solid rubber, superelastic, pneumatic, polyurethane		Pneumatic	Pneumatic	Pneumatic	Pneumatic	Pneumatic	Pneumatic	Pneumatic	Pneumatic	Pneumatic	Pneumatic	Pneumatic	Pneumatic	
	3.2	Tyre size, front		8.25-15-14PR	300-15-18PR	300-15-18PR	300-15-18PR	8.25-15-14PR	300-15-18PR	300-15-18PR	300-15-18PR	8.25-15-14PR	300-15-18PR	300-15-18PR	300-15-18PR	
	3.3	Tyre size, rear		7.00-12-12PR	7.00-12-12PR	7.00-12-12PR	7.00-12-12PR	7.00-12-14PR	7.00-12-12PR	7.00-12-12PR	7.00-12-14PR	7.00-12-12PR	7.00-12-12PR	7.00-12-12PR	7.00-12-14PR	
	3.5	Wheels, number front/rear(--driven wheels)		2	2	2	2	2	2	2	2	2	2	2	2	
	3.6	Tread, front	b10 [mm]	1160	1150	1150	1150	1160	1150	1150	1150	1160	1150	1150	1150	
	3.7	Tread, rear	b11 [mm]	1130	1130	1130	1130	1130	1130	1130	1130	1130	1130	1130	1130	
	Dimensions	4.1	Tilt of mast/fork carriage forward/backward	a/b [°]	6/12	6/12	6/12	6/12	6/12	6/12	6/12	6/12	6/12	6/12	6/12	
		4.2	Height, mast lowered	h1 [mm]	2245	2245	2245	2245	2345	2245	2245	2245	2245	2245	2345	
4.3		Free lift	h2 [mm]	150	150	150	160	150	150	150	150	150	150	160		
4.4		Lift	h3 [mm]	3000	3000	3000	3000	3000	3000	3000	3000	3000	3000	3000		
4.5		Height, mast extended	h4 [mm]	4170	4170	4380	4380	4170	4380	4380	4170	4380	4380	4380		
4.7		Height of overhead guard [cabin]	h6 [mm]	2320	2320	2320	2320	2320	2320	2320	2320	2320	2320	2320		
4.8		Seat height relating to SIP/stand height	h7 [mm]	1380	1380	1380	1380	1380	1380	1380	1380	1380	1380	1380		
4.12		Coupling height	h10 [mm]	675	675	675	675	675	675	675	675	675	675	675		
4.19		Overall length	l1 [mm]	4130	4160	4250	4320	4130	4160	4250	4320	4130	4160	4250	4320	
4.20		Length to face of forks	l2 [mm]	3060	3090	3180	3250	3060	3090	3180	3250	3060	3090	3180	3250	
4.21		Overall width	b1/b2 [mm]	1420/1940	1450/1940	1450/1940	1450/1940	1420/1940	1450/1940	1450/1940	1420/1940	1450/1940	1450/1940	1450/1940	1450/1940	
4.22		Fork dimensions DIN ISO 2331	s / e / l [mm]	50/150/1070	50/150/1070	50/150/1070	60/150/1070	50/150/1070	50/150/1070	60/150/1070	50/150/1070	50/150/1070	50/150/1070	60/150/1070		
4.23		Fork carriage ISO 2328, class/type A,B		IIIA	IIIA	IV A	IV A	IIIA	IIIA	IV A	IV A	IIIA	IIIA	IV A	IV A	
4.24		Fork-carriage width	b3 [mm]	1250	1250	1250	1250	1250	1250	1250	1250	1250	1250	1250		
4.31		Ground clearance, laden, below mast	m1 [mm]	145	145	145	145	145	145	145	145	145	145	145		
4.32		Ground clearance, centre of wheelbase	m2 [mm]	230	230	230	230	230	230	230	230	230	230	230		
4.34.1		Aisle width for pallets 1000 - 1200 crossways	Ast [mm]	4390	4420	4510	4580	4390	4420	4510	4580	4390	4420	4510	4580	
4.34.2		Aisle width for pallets 800 - 1200 lengthways	Ast [mm]	4590	4620	4710	4780	4590	4620	4710	4780	4590	4620	4710	4780	
4.35	Turning radius	Wa [mm]	2630	2660	2750	2810	2630	2660	2750	2810	2630	2660	2750	2810		
4.36	Internal turning radius	b13 [mm]	692	692	749	749	692	692	749	749	692	692	749	749		
Performance data	5.1	Travel speed, laden/unladen	km/h	23.5/24	23.5/24	23.5/24	23.5/24	23.5/24	23.5/24	23.5/24	23.5/24	23.5/24	23.5/24	23.5/24		
	5.2	Lift speed, laden/unladen	m/s	0.52/0.55	0.52/0.55	0.45/0.47	0.45/0.47	0.58/0.61	0.58/0.61	0.50/0.52	0.50/0.52	0.61/0.64	0.61/0.64	0.52/0.55		
	5.3	Lowering speed, lade/unladen	m/s	0.45/0.5	0.45/0.5	0.45/0.5	0.45/0.5	0.45/0.5	0.45/0.5	0.45/0.5	0.45/0.5	0.45/0.5	0.45/0.5	0.45/0.5		
	5.6	Max. drawbar pull, laden/unladen	N	36500/21000	36500/21000	36500/21000	36500/21000	38500/21000	38500/21000	38500/21000	38500/21000	38600/21000	38600/21000	38600/21000		
	5.8	Max. gradeability, laden/unladen	%	24/23	23/23	22/20	21/20	30/23	28/23	25/20	30/23	28/23	26/20	25/20		
Combustion-engine	7.1	Engine manufacturer/type	XINCHAI/4E30YG52				KUBOTA/V3307-CR-TIE5B				KUBOTA/WG3800-L-E5C					
	7.2	Engine power according to ISO 1585	EU StageV				EU StageV/EPA Tier 4F				EU StageV/EPA Tier 2/CARB Tier 3					
	7.3	Rated speed	EU StageV				EU StageV/EPA Tier 4F				EU StageV/EPA Tier 2/CARB Tier 3					
	7.4	Rated capacity/rated load	EU StageV				EU StageV/EPA Tier 4F				EU StageV/EPA Tier 2/CARB Tier 3					
	7.5	Engine power according to ISO 1585	EU StageV				EU StageV/EPA Tier 4F				EU StageV/EPA Tier 2/CARB Tier 3					
	7.6	Rated speed	EU StageV				EU StageV/EPA Tier 4F				EU StageV/EPA Tier 2/CARB Tier 3					
	7.7	Number of cylinders/displacement	EU StageV				EU StageV/EPA Tier 4F				EU StageV/EPA Tier 2/CARB Tier 3					
Drive unit	8.1	Type of drive unit	Powershift													
	8.2	Speeds FWD/RVS	1/1													
Addition data	10.1	Operating pressure for attachments	MPa													
	10.2	Oil volume for attachments	ℓ/min													
	10.4	Fuel tank capacity	ℓ													

Optional Engine

		HB		H12		H20		W24		W58		
Manufacturer's type designation		Diesel		GAS/LPG		LPG		LPG		Diesel		
Combustion-engine	7.1	Engine manufacturer/type	XINCHAI/4E30YG52		KUBOTA/WG3800-GL-E3C		PSI 4.3		PSI 4.3		CUMMINS OSF2.8	
	7.2	Emission standard	EU StageV		EU StageV/EPA Tier 2/CARB Tier 3		EU StageV		EPA Tier 2/CARB Tier 3		EU StageIII/Tier 4F	
	7.3	Rated capacity/rated load	0[kg]		4000-5500		4000-5500		4000-5500		4000-5500	
	7.4	Engine power according to ISO 1585	kW		55.8		65.4/4/LP-54.6		79.75		77	
	7.5	Rated speed	min ⁻¹		2200		2300		2300		2300	
	7.6	Number of cylinders/displacement	[-]/[cm ³]		4/2970		4/3769		6/4294		4/2800	
	7.7	Rated torque	[N·m]/[r/min]		320/1200-1600		6.248.5/1400/LP-273.1/1200		332.5/2000		332.85/1400	
Drive unit	8.1	Type of drive unit	Powershift		Powershift		Powershift		Powershift		Powershift	
	8.2	Speeds FWD/RVS	1/1		1/1		1/1		1/1		1/1	
	F[CHINA]	F	✓	✓	✓	✓	✓	✓	✓	✓	✓	
	OKAMURA[JAPAN]	B	✓	✓	✓	✓	✓	✓	✓	✓	✓	



AST=l6+x+Wa+a L6: load length a=200 mm safety clearance

